

TECHNISCHE OMSCHRIJVING

Ronde wand- of opbouwarmatuur met opalen kap uit PMMA. Voor wand- of plafondmontage. Met ronde, sferisch gevormde diffuser. Beschikbaar in diameters (mm) van Ø180, Ø280, Ø360 en Ø410. Opbouwdiepte 70, 80, 90 en 103mm. Armatuurlichtstroom 650 tot 2150lm, aansluitvermogen 8,00W tot 22,00W met lichtrendement van 98 lm/W. Lichtkleur (CCT) 3000K (warmwit), 4000K (neutraal wit) en 6000K (daglicht) instelbaar via schuifschakelaar. Algemene kleurweergave-index (CRI) Ra >80. Zeer stabiele binning MacAdam Ellipse <5 (SDCM). Gemiddelde levensduur L70(tq 25°C) = 50.000 volgens TM-21 extrapolatie, In-SITU temperatuurtest (ISTMT). Toelaatbare omgevingstemperatuur (ta): -20°C ~ + 40°C. Beschermklasse (EN 61140): II. Beschermklasse Ingress Protection (EN 60529): IP64, slagvastheid IEC 62262: IK03. Gloeidraadtest conform IEC 60695-2-11: 650°C. Met geïntegreerde elektronische transformator. Met 3-aderige aansluitklem voor bedrading tot 2,5mm² voor aansluiting en doorlussen (loop-in-loop-out) van voeding. Armaturen voldoen aan de fundamentele eisen van de van toepassing zijnde EU-richtlijnen en productveiligheidswet, zoals EMC, Lvd en RoHS. Armaturen zijn voorzien van een CE-markering



BESTELGEGEVENS

| Artikelcode | Omschrijving | W | lm | lm/W | Kelvin | CRI | Input Current | Lifetime L80B10 |
|-------------|--|----|-----------|-------|----------------|-----|---------------|-----------------|
| 4605654 | Plafonnière Polo IP64 8W 3000K Ø180mm | 8 | 650 | 81 | 3000 | ≥80 | 0.08 | 50000 |
| 4605661 | Plafonnière Polo IP64 8W 4000K Ø180mm | 8 | 700 | 88 | 4000 | ≥80 | 0.08 | 50000 |
| 1029085 | Plafonnière Polo G3 IP64 12W 3000K-6000K 3-CCT 1000-1100lm Ø280 | 12 | 1000-1100 | 83-92 | 3000/4000/6000 | ≥80 | 0.06 | 50000 |
| 1029085-S | Plafonnière Polo G3 IP64 12W 3000K-6000K 3-CCT 1000-1100lm Ø280 Bewegingssensor | 12 | 1000-1100 | 83-92 | 3000/4000/6000 | ≥80 | 0.06 | 50000 |
| 1029085-N | Plafonnière Polo G3 IP64 12W 3000K-6000K 3-CCT 1000-1100lm Ø280 Nood | 12 | 1000-1100 | 83-92 | 3000/4000/6000 | ≥80 | 0.06 | 50000 |
| 1029085-SN | Plafonnière Polo G3 IP64 12W 3000K-6000K 3-CCT 1000-1100lm Ø280 Bewegingssensor Nood | 12 | 1000-1100 | 83-92 | 3000/4000/6000 | ≥80 | 0.06 | 50000 |
| 1029085-DS | Plafonnière Polo G3 IP64 12W 3000K-6000K 3-CCT 1000-1100lm Ø280 Daglichtsensor | 12 | 1000-1100 | 83-92 | 3000/4000/6000 | ≥80 | 0.06 | 50000 |
| 1029085-DSN | Plafonnière Polo G3 IP64 12W 3000K-6000K 3-CCT 1000-1100lm Ø280 Daglichtsensor Nood | 12 | 1000-1100 | 83-92 | 3000/4000/6000 | ≥80 | 0.06 | 50000 |
| 1029092 | Plafonnière Polo G3 IP64 18W 3000K-6000K 3-CCT 1550-1700lm Ø360 | 18 | 1550-1700 | 86-94 | 3000/4000/6000 | ≥80 | 0.09 | 50000 |
| 1029092-S | Plafonnière Polo G3 IP64 18W 3000K-6000K 3-CCT 1550-1700lm Ø360 Bewegingssensor | 18 | 1550-1700 | 86-94 | 3000/4000/6000 | ≥80 | 0.09 | 50000 |
| 1029092-N | Plafonnière Polo G3 IP64 18W 3000K-6000K 3-CCT 1550-1700lm Ø360 Nood | 18 | 1550-1700 | 86-94 | 3000/4000/6000 | ≥80 | 0.09 | 50000 |
| 1029092-SN | Plafonnière Polo G3 IP64 18W 3000K-6000K 3-CCT 1550-1700lm Ø360 Bewegingssensor Nood | 18 | 1550-1700 | 86-94 | 3000/4000/6000 | ≥80 | 0.09 | 50000 |
| 1029092-DS | Plafonnière Polo G3 IP64 18W 3000K-6000K 3-CCT 1550-1700lm Ø360 Daglichtsensor | 18 | 1550-1700 | 86-94 | 3000/4000/6000 | ≥80 | 0.09 | 50000 |
| 1029092-DSN | Plafonnière Polo G3 IP64 18W 3000K-6000K 3-CCT 1550-1700lm Ø360 Daglichtsensor Nood | 18 | 1550-1700 | 86-94 | 3000/4000/6000 | ≥80 | 0.09 | 50000 |
| 1029108 | Plafonnière Polo G3 IP64 22W 3000K-6000K 3-CCT 1950-2150lm Ø410 | 22 | 1950-2150 | | 3000/4000/6000 | ≥80 | 0.11 | 50000 |
| 1029108-S | Plafonnière Polo G3 IP64 22W 3000K-6000K 3-CCT 1950-2150lm Ø410 Bewegingssensor | 22 | 1950-2150 | 89-98 | 3000/4000/6000 | ≥80 | 0.11 | 50000 |
| 1029108-N | Plafonnière Polo G3 IP64 22W 3000K-6000K 3-CCT 1950-2150lm Ø410 Nood | 22 | 1950-2150 | 89-98 | 3000/4000/6000 | ≥80 | 0.11 | 50000 |
| 1029108-SN | Plafonnière Polo G3 IP64 22W 3000K-6000K 3-CCT 1950-2150lm Ø410 Bewegingssensor Nood | 22 | 1950-2150 | 89-98 | 3000/4000/6000 | ≥80 | 0.11 | 50000 |
| 1029108-DS | Plafonnière Polo G3 IP64 22W 3000K-6000K 3-CCT 1950-2150lm Ø410 Daglichtsensor | 22 | 1950-2150 | 89-98 | 3000/4000/6000 | ≥80 | 0.11 | 50000 |

| Artikelcode | Omschrijving | W | lm | lm/W | Kelvin | CRI | Input Current | Lifetime L80B10 |
|-------------|---|----|-----------|-------|----------------|-----|---------------|-----------------|
| 1029108-DSN | Plafonnière Polo G3 IP64 22W 3000K-6000K 3-CCT 1950-2150lm Ø410 Daglichtsensor Nood | 22 | 1950-2150 | 89-98 | 3000/4000/6000 | ≥80 | 0.11 | 50000 |
| 1029085-PS | Pragmalux LED Plafonnière Polo G3 IP64 12W 3000K-6000K 3-CCT 1000-1100lm Ø280 (2x18W) +PIR sensor | 12 | 1000-1100 | 83-92 | 3000/4000/6000 | ≥80 | 0.9 | 50000 |
| 1029085-PSN | Pragmalux LED Plafonnière Polo G3 IP64 12W 3000K-6000K 3-CCT 1000-1100lm Ø280 (2x18W) PIR + Nood | 12 | 1000-1100 | 83-92 | 3000/4000/6000 | ≥80 | 0.9 | 50000 |
| 1029092-PS | Pragmalux LED Plafonnière Polo G3 IP64 18W 3000K-6000K 3-CCT 1550-1700lm Ø360 (1x26W) +PIR sensor | 18 | 1550-1700 | 83-92 | 3000/4000/6000 | ≥80 | 0.9 | 50000 |
| 1029092-PSN | Pragmalux LED Plafonnière Polo G3 IP64 18W 3000K-6000K 3-CCT 1550-1700lm Ø360 (1x26W) PIR + Nood | 18 | 1550-1700 | 86-94 | 3000/4000/6000 | ≥80 | 0.9 | 50000 |
| 1029108-PS | Pragmalux LED Plafonnière Polo G3 IP64 22W 3000K-6000K 3-CCT 1950-2150lm Ø410 (1x32W) +PIR sensor | 22 | 1950-2150 | 86-94 | 3000/4000/6000 | ≥80 | 0.9 | 50000 |
| 1029108-PSN | Pragmalux LED Plafonnière Polo G3 IP64 22W 3000K-6000K 3-CCT 1950-2150lm Ø410 (1x32W) PIR + Nood | 22 | 1950-2150 | 86-94 | 3000/4000/6000 | ≥80 | 0.9 | 50000 |

PRODUCTGEGEVENS

| Elektrische gegevens | |
|------------------------|---|
| Ingangsspanning (V) | 220-240 |
| Ingangsfrequentie (Hz) | 50/60 |
| Arbeidsfactor (λ) | ≥0.90 |
| | ≥0.50 (8W versies) |
| Driver | Intern |
| Dimbaar | Nee |
| | Flikkervrij |
| | $P_{st}^{LM}; \leq 1 \text{ SVM}; \leq 4$ |
| Aansluiting | Max 3x2,5 mm ² wire |
| | Push-Terminal 4-pole |
| Aansluiting | Max 2x2,5 mm ² wire (8W versies) |
| | Push-Terminal 2-pole (8W versies) |
| THD | ≤ 20 % |

Toepassingsomstandigheden

| | |
|-----------------------------|-------------|
| Omgevingstemperatuur Tq | 25°C |
| Bereik omgevingstemperatuur | -20 ~ +40°C |

Certificaten & Normen

| | |
|-------------------------------|-----------------|
| Driver certificaten | CE |
| Armatuur certificaten | CE |
| IEC beschermingsklasse | I |
| | II (8W versies) |
| IP-classificatie | IP64 |
| IK-classificatie | IK03 |
| Fotobiologisch risico EN62471 | RG0 |
| Gloeidraadtest | 650°C |
| UGR | ≤ 22 |
| Lichtbron vervangbaar | Nee |

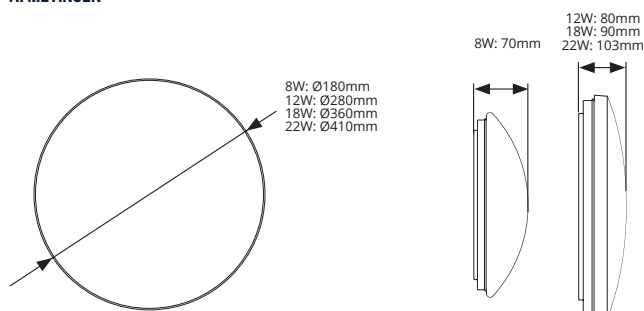
Kleuren & materialen

| | |
|------------------------------------|-------------|
| Materiaal behuizing | Staal |
| Optisch-/Lens-/Reflector materiaal | PMMA |
| Kleur behuizing | Wit RAL9016 |

| Artikelcode | Omschrijving | Driver failure rate at 5,000h | Inrush current | | Max. Drivers op MCB | | | |
|-------------|---|-------------------------------|----------------|-------------|---------------------|-------|-------|-------|
| | | | Ipeak (A) | Twidth (µs) | B 10A | B 16A | C 10A | C 16A |
| 4605654 | Plafonnière Polo IP64 8W 3000K Ø180mm | ≤1% | 9.68 | 194 | 100 | 160 | 100 | 160 |
| 4605661 | Plafonnière Polo IP64 8W 4000K Ø180mm | ≤1% | 9.68 | 194 | 100 | 160 | 100 | 160 |
| 4608334 | Plafonnière Polo G2 IP64 12W 3000K-6000K 3-CCT Ø280mm | ≤1% | 3.32 | 72 | 106 | 170 | 106 | 170 |
| 4608341 | Plafonnière Polo G2 IP64 18W 3000K-6000K 3-CCT Ø360mm | ≤1% | 6.24 | 72 | 66 | 106 | 66 | 106 |
| 4608358 | Plafonnière Polo G2 IP64 22W 3000K-6000K 3-CCT Ø410mm | ≤1% | 7.69 | 72 | 53 | 85 | 53 | 85 |

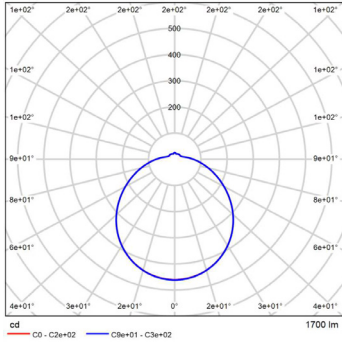
(-S/-DS/-N/-SN/-DSN-PS-PSN versies)

AFMETINGEN



FOTOMETRISCHE GEGEVENS

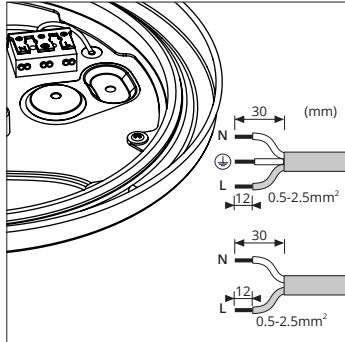
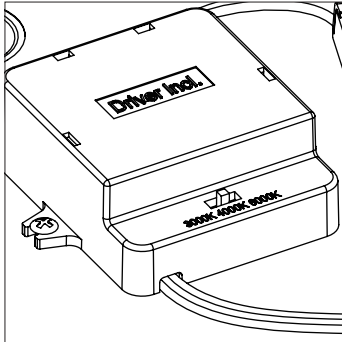
Bulkhead Polo G2 IP64 18W 4000K 3-CCT (4608341)



| Afstand [m] | Kegeldiameter [m] | Verlichtingssterkte [lx] |
|-------------|-------------------|---|
| 0.50 | 1.6 | EIP ⁽¹⁾ 1843 EIC(M) 58.9° 132 EIC(C) 58.6° 130 |
| 1.0 | 3.3 | EIP ⁽¹⁾ 461 EIC(M) 58.9° 33 EIC(C) 58.6° 33 |
| 1.5 | 4.9 | EIP ⁽¹⁾ 205 EIC(M) 58.9° 15 EIC(C) 58.6° 14 |
| 2.0 | 6.5 | EIP ⁽¹⁾ 115 EIC(M) 58.9° 8.2 EIC(C) 58.6° 8.1 |
| 2.5 | 8.2 | EIP ⁽¹⁾ 74 EIC(M) 58.9° 5.3 EIC(C) 58.6° 5.2 |
| 3.0 | 9.8 | EIP ⁽¹⁾ 51 EIC(M) 58.9° 3.7 EIC(C) 58.6° 3.6 |

(1) EIP⁽¹⁾ = Efficacy Index (lm/W) at 117.2° beam angle.
 (2) EIP⁽²⁾ = Efficacy Index (lm/W) at 117.0° beam angle.

EXTRA INFORMATIE

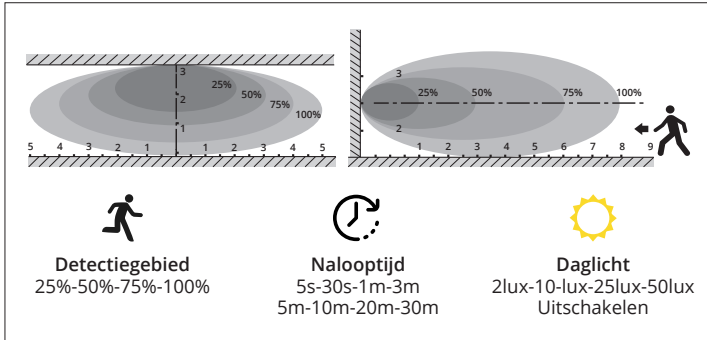


Lichtkleurschakelaar 3-in-1 (3000-4000-6000K)

| Permanent geschakeld | | Permanent niet geschakeld | | Niet permanent (alleen nood) | |
|----------------------|---|---------------------------|---|------------------------------|---|
| Nul | N | Nul | N | Nul | N |
| Aarde | ⊥ | Aarde | ⊥ | Aarde | ⊥ |
| Fase | L | Fase | L | Fase | L |
| Geschakelde fase | S | Brug tussen L1 en L2 | S | | S |

Noodverlichting (3W / 250-300lm) - 3 jaar garantie

PRODUCTDETAILS



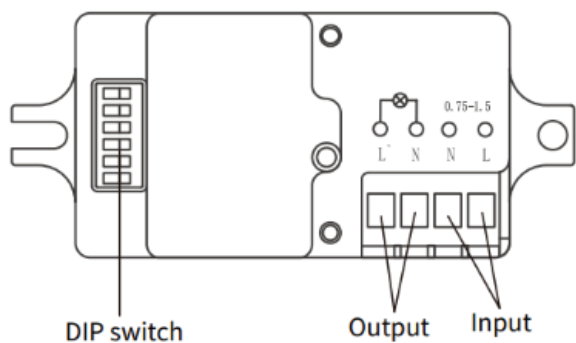
Bewegingssensor

| | 1 | 2 | 3 | 4 | aan | uit |
|------|----|----|----|----|--------------|--------|
| | I | ON | ON | ON | ON | 5lux |
| II | ON | ON | ON | - | 10lux | 50lux |
| III | ON | ON | - | ON | 25lux | 75lux |
| IV | ON | ON | - | - | 50lux | 100lux |
| V | ON | - | ON | - | 100lux | 200lux |
| VI | ON | - | - | - | 150lux | 300lux |
| VII | - | ON | - | - | 200lux | 400lux |
| VIII | - | - | - | - | Uitschakelen | |

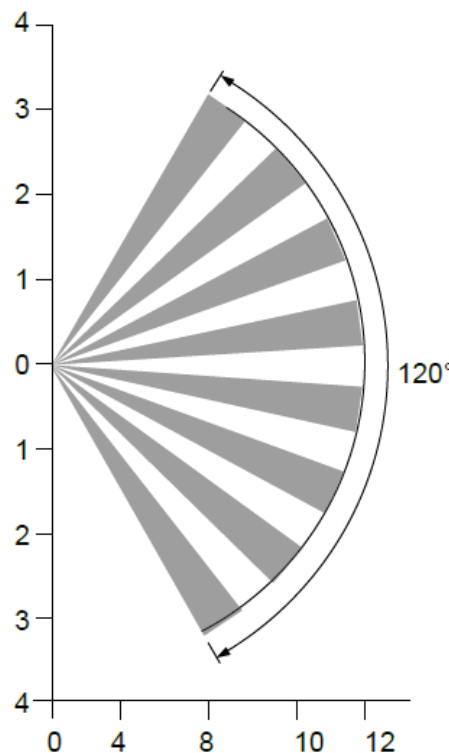
Daglichtsensor (Licht-Donker schakelaar)

PIR sensor

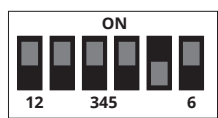
⚠ Alleen mogelijk voor de volgende versies:
.../ PS
.../ PSN



Detectie zone



DIP Switch instellingen:



Detectiegebied Nalooptijd Daglicht

Nalooptijd:



| | 34 | 5 | |
|------|-----|-----|-------|
| I | ON | ON | 15s |
| II | OFF | ON | 30s |
| III | ON | OFF | 1min |
| IV | OFF | OFF | 3min |
| V | ON | ON | 5min |
| VI | OFF | N | 10min |
| VII | ON | OFF | 30min |
| VIII | OFF | OFF | ∞ |

Detectiegebied (Gevoeligheid)

| | 12 | | |
|-----|-----|-----|------|
| I | ON | ON | 100% |
| II | OFF | ON | 75% |
| III | ON | OFF | 50% |
| IV | OFF | OFF | 25% |

Daglicht functie:

| | 6 | |
|----|-----|------------|
| I | ON | Uitzetten* |
| II | OFF | 25lux |

Fabriekinstelling:
Detectiegebied: 100% / Nalooptijd: 5min / Daglicht: Uitzetten

PROJECTEN

