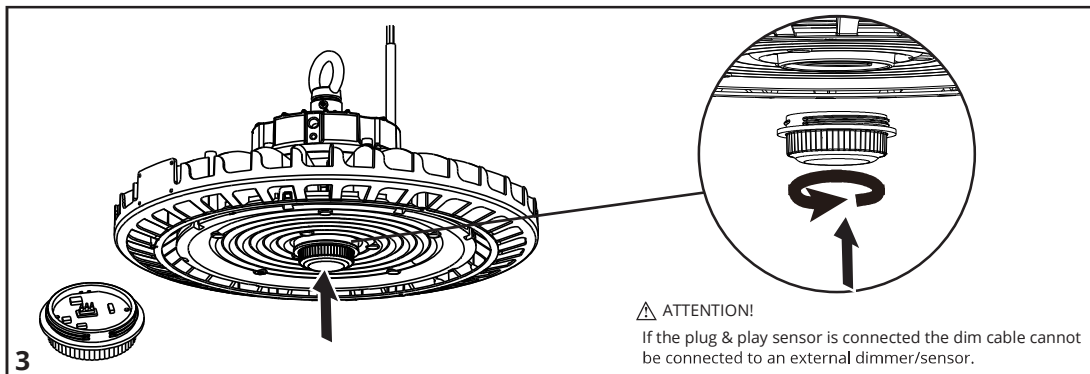
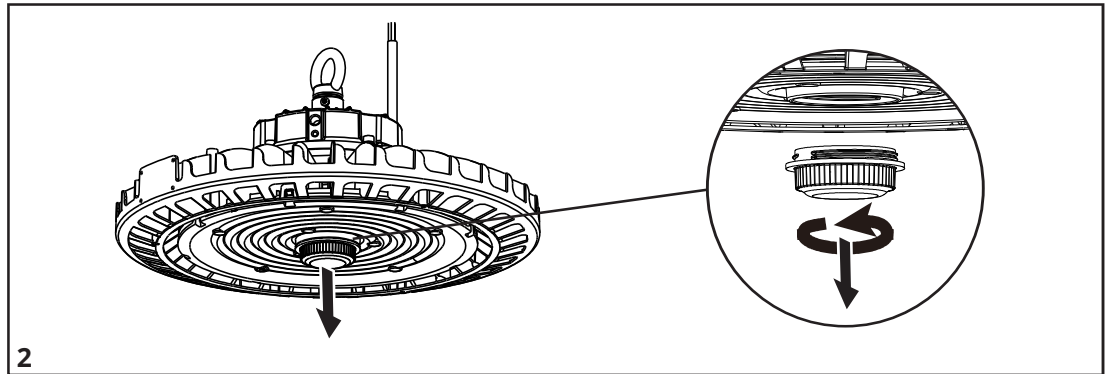
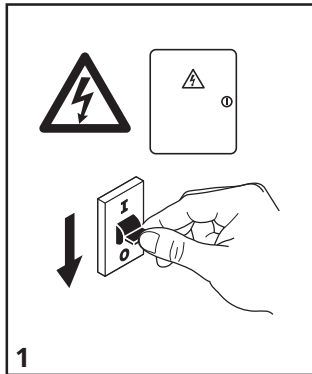


⚠ Accessories needs to be ordered separately

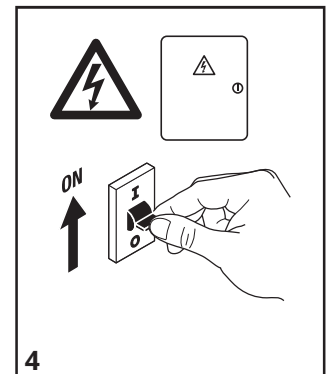
⚠ 1 Remote control must be ordered separately to configure the sensor settings. Each sensor/luminaire must be separately set with the remote control.

| Item Description | Article number |
|--|----------------|
| LED Highbay Storm G2 Sensor PIR | 1000442 |
| LED Highbay Storm G2 Sensor Remote Control | 1000459 |

Installation



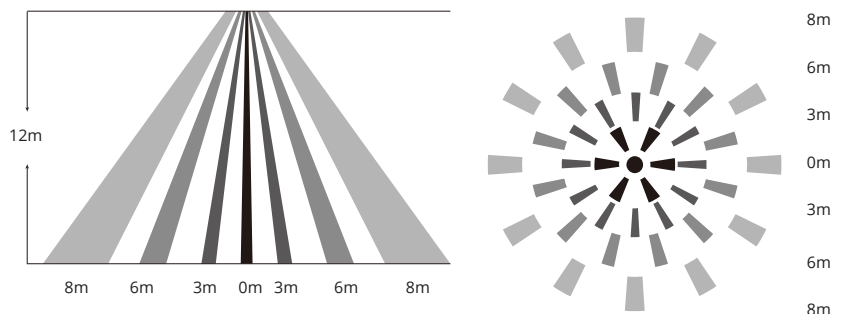
⚠ ATTENTION!
If the plug & play sensor is connected the dim cable cannot be connected to an external dimmer/sensor.



Technical Data - Sensor PIR

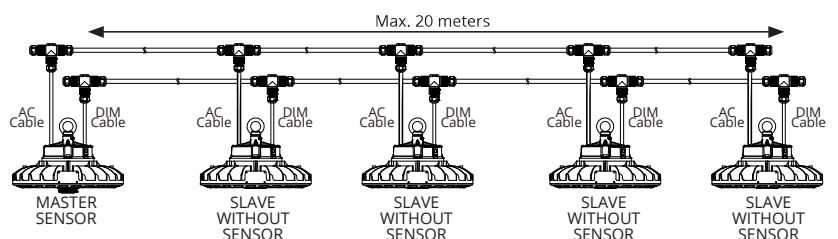
| | |
|-----------------------------|---|
| Operating voltage | 10.5-15VDC |
| Operating current | 30mA±5% |
| Stand-by power | ≤0.5W |
| Detection area | 25%/50%/75%/100% |
| Hold time | 5s/30s/1min/3min/5min/10min/20min/30min |
| Daylight threshold (ON-OFF) | 6-18Lux(10Lux) / 20-45Lux(30Lux) / 30-70Lux(50Lux) / 60-100Lux(80Lux) / 90-155Lux(120Lux) / Disable |
| Stand-by period | 0s/10s/30s/1min/5min/10min/30min/+∞ |
| Stand-by dimming level | 10%/20%/30%/50% |
| PIR Wave Length | 5-14um |
| Mounting height | Max. 12m (ceiling mounted) |
| Detection angle | 120° |
| Detection range | Max.∅16m (ceiling mounted) |
| Operating temperature | -20°C~+60°C |
| Motion detection | 0.5-1.5m/s |

Detection range (100% sensitivity)



Master-Slave function

⚠ 1 Sensor can control up to 5 luminaires. The maximum length between the master and the last slave should NOT exceed 20 meters.



Max. 5 luminaires
Page 4 of 7

Remote Control

ON/OFF

The "ON/OFF" button acts as a switch, it turns the luminaire on or off.* Press the "Auto Mode", "RESET" or "Apply" buttons to exit this mode.

Auto Mode

If the "Auto Mode" button is pressed, the sensor starts working under the last saved settings.



Detection area

Press the button "detection range" to set detection range as 100% / 75% / 50% / 10%.



Hold-time

Press the button "hold-time" to set hold-time as 5s / 30s / 1min / 3min / 5min / 10min / 15min / 30min



Stand-by dimming level

Press the button "stand-by dimming level" to set the stand-by dimming level as 10% / 20% / 30% / 50%.



Stand-by period

Press the button "stand-by period" to set stand-by period as 0s / 10s / 30s / 1min / 5min / 10min / 30min / +∞

Note: "0s" means no standby period; "+∞" means infinite standby period.



Daylight threshold

Press the button "daylight sensor" to set daylight threshold as (ON-OFF): 6-18Lux(10Lux) / 20-45Lux(30Lux) / 30-70Lux(50Lux) / 60-100Lux(80Lux) / 90-155Lux(120Lux) / Disable

Note: Disable means light will be turned on once the sensor detects movement, regardless of the ambient daylight lux levels.

Flick after press any button

Flick only after press "Apply" button

Reset

Press the "RESET" button to reset all the settings to the Factory settings (100% detection range, hold time 5S, no stand-by time and daylight threshold disabled)

Brightness +/-

⚠ Brightness function is NOT available

Start

Press "Start" to customize the scene, users can adjust the detection range, daylight threshold, holdtime, standby dimming level and standby period.

Memory

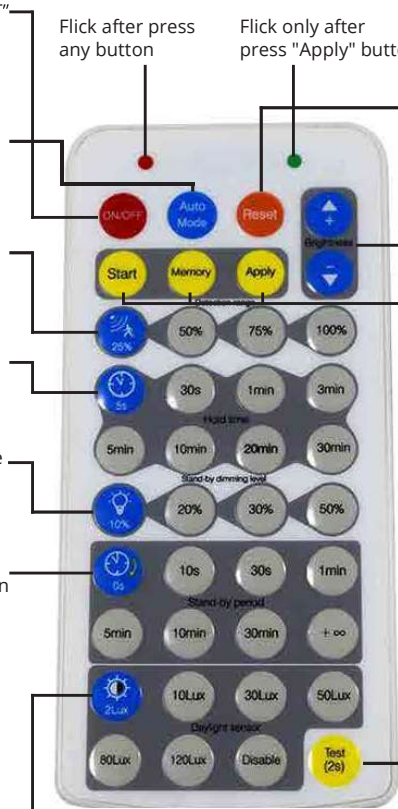
Press "Memory" to save all the settings.

Apply

1-Press "Apply" to enforce the saved values.
2-If the "Apply" button is pressed without memorizing all the settings, the values will deliver as only one-time operation.

Test (2s)

The button "Test (2s)" is for testing purpose after commissioning. If the button is pressed, the sensor goes on test mode (hold time is only 2s) automatically, stand-by period and daylight sensor are disabled.



STEPS

- 1 - Press the "Start" button.
- 2 - Select the desired settings (Detection area / Hold-time / Stand-by dimming level / Stand-by period / Daylight threshold).
- 3 - Press "Memory" to save all the settings.
- 4 - Press "Apply" to enforce the settings.
- 5 - If you want to apply the same sensor settings to the other luminaires with sensor point the remote control to the other luminaires with sensor and press "Apply".

Notes

- 1 - Settings will be saved automatically and remain until the reset button is pressed again.
- 2 - Light will flicker when setting each parameter.
- 3 - 1 Remote control must be ordered separately to configure the sensor settings.
- 4 - Each sensor/luminaire must be separately set with the remote control.



Warning

- Only qualified electrician is allowed to do installation, maintenance and inspection for safety concern. It is dangerous for non-professional operators.
- Power should be cut off before installation, maintenance or inspection.
- Please install and use the product strictly according to the instruction.
- Do not disassemble or remold the product at will to avoid accident of electric shock or light falling.
- Working out of temperature range of -30 ~ +50 will shorten the lifetime of the product.