



KEY FEATURES

- Corridor function can be set via dip switches
- Multi-current LED Driver 5-lumen-in-1
- Available with step-dim sensor on request
- 5 year Pragmalux Warranty



5 PRAGMALUX
YEAR
WARRANTY

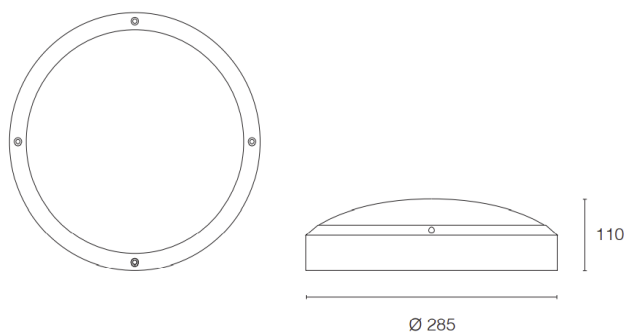


Back

SPECIFICATIONS

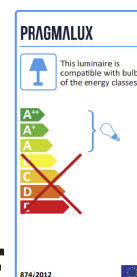
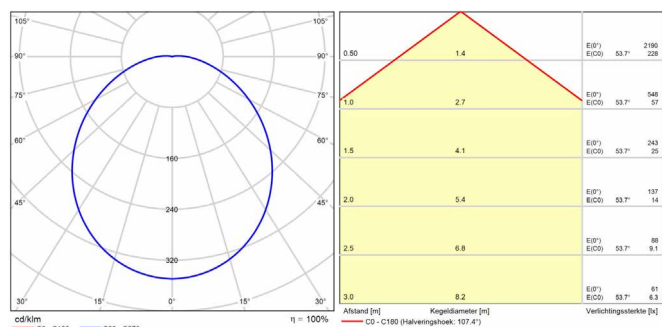
ITEM CODE	DESCRIPTION	W	LM	LM/W	KELVIN	CRI	LIFETIME L80B10	BEAM ANGLE
9160436	LED Bulkhead Mono IP65 18W 1567lm 3000K Ø285	18	1567	83	3000	≥80	30000	120°
9160437	LED Bulkhead Mono IP65 18W 1567lm 3000K + Sensor (RF) Ø285	18	1567	83	3000	≥80	30000	120°
9160438	LED Bulkhead Mono IP65 12,4-20,6W 1000-1650lm 3000K multi-watt Ø285	12.4-20.6	1000-1650	80	3000	≥80	30000	120°
9160439	LED Bulkhead Mono IP65 12,4-20,6W 1000-1650lm 3000K multi-watt + Sensor (RF) Ø285	12.4-20.6	1000-1650	80	3000	≥80	30000	120°

DIMENSIONS



PHOTOMETRIC SPECIFICATIONS

LED PANEL BULKHEAD MONO 18W 3000K



874/2012

PRAGMALUX

All rights reserved. Pragmalux - PDL Lighting Group B.V. retains the right to modify product specifications without any prior notice or obligation and does not assume any liability for any consequences of using this document. Subject to errors and printing errors. Luminous flux tolerance: +/- 10%. Power consumption tolerance: +/- 10%.

Version: October 2020