



KEY FEATURES

- LED downlight alternative for CFL/PLC downlights
- Lifetime 50,000 hours
- Integrated LED driver
- Very quick and easy installation
- Serial connector
- Loop in Loop out
- 3 year Pragmalux Warranty

IP20 IK03  650°GWT 94LM/W 

3 PRAGMALUX
YEAR
WARRANTY

DETAILS



External driver version



Reflector

ACCESSORIES



Junction box
Included

SPECIFICATIONS

ITEM CODE	DESCRIPTION	W	LM	LM/W	KELVIN	CRI	INPUT CURRENT	LIFETIME L80B10	EQUIVALENT	BEAM ANGLE
4600512	LED Downlight Essence 10W 3000K Ø113mm Cutout Ø90-102mm	10	820	82	3000	≥80	0.05	50000	1x18W PL	100°
4600529	LED Downlight Essence 10W 4000K Ø113mm Cutout Ø90-102mm	10	900	90	4000	≥80	0.05	50000	1x18W PL	100°
4600536	LED Downlight Essence 12W 3000K Ø145mm Cutout Ø120-130mm	12	1050	88	3000	≥80	0.06	50000	2x18W PL	100°
4600543	LED Downlight Essence 12W 4000K Ø145mm Cutout Ø120-130mm	12	1100	92	4000	≥80	0.06	50000	2x18W PL	100°
4600550	LED Downlight Essence 17W 3000K Ø174mm Cutout Ø145-155mm	17	1500	88	3000	≥80	0.09	50000	1x26W PL	100°
4600567	LED Downlight Essence 17W 4000K Ø174mm Cutout Ø145-155mm	17	1600	94	4000	≥80	0.09	50000	1x26W PL	100°
4600574	LED Downlight Essence 25W 3000K Ø244mm Cutout Ø195-210mm	25	2230	89	3000	≥80	0.12	50000	2x26W PL	100°
4600581	LED Downlight Essence 25W 4000K Ø244mm Cutout Ø195-210mm	25	2350	94	4000	≥80	0.12	50000	2x26W PL	100°

TECHNICAL DATA

ELECTRICAL DATA	
Voltage (V)	220-240
Frequency (Hz)	50/60
Power factor (λ)	≥0.9
Operating mode	Integrated LED Driver
Electrical connection	Max 2x2,5 mm² wire
Total harmonic distortion	≤ 20 %

TEMPERATURES & OPERATING CONDITIONS

Ambient temperature	25°C
Operating temperature	-20 ~ +40°C
Storage temperature	-20 ~ +60°C

COLORS & MATERIALS

Color (Housing)	White RAL9016
Material (Housing)	PC
Material (Reflector)	PC

PRAGMALUX

All rights reserved. Pragmalux - PDL Lighting Group B.V. retains the right to modify product specifications without any prior notice or obligation and does not assume any liability for any consequences of using this document. Subject to errors and printing errors. Luminous flux tolerance: +/- 10%. Power consumption tolerance: +/- 10%.

Version: October 2020

CERTIFICATES & STANDARDS

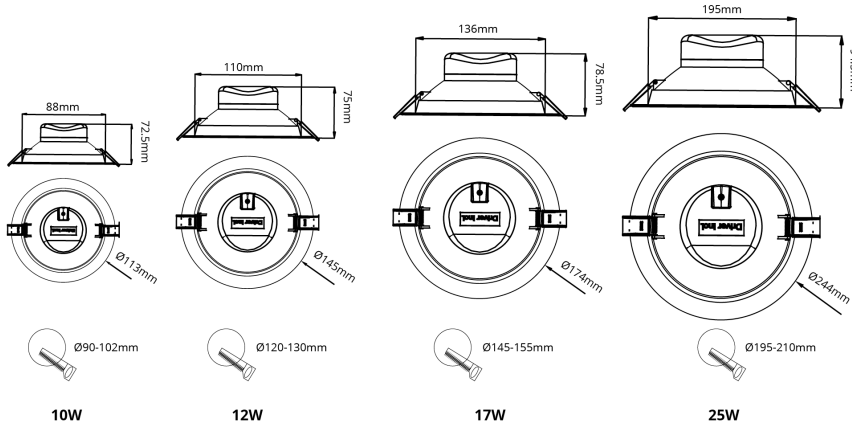
Driver certificates	CE
Fixture certificates	CE
Ingress protection	IP20
Protection class	II
Protection class IK	03
Glow Wire Test (IEC 695-2-1)	650°C
Photobiological safety group EN62778	RG0

CAPABILITIES

UGR	≤25
Dimmable	No
Type of connection	Push Terminal, 2-pole
LED Module replacable	No
Installation	Through-wiring Possible

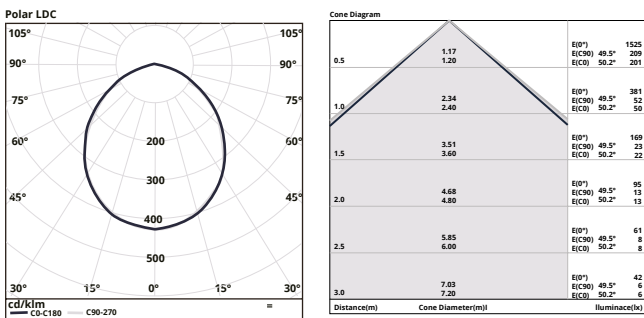
ITEM CODE	DESCRIPTION	DRIVER FAILURE RATE AT 5,000H	INRUSH CURRENT IPEAK (A)	INRUSH CURRENT TWIDTH (μs)	MAX. NO. OF DRIVERS ON MCB TYPE B 10A	MAX. NO. OF DRIVERS ON MCB TYPE B 16A	MAX. NO. OF DRIVERS ON MCB TYPE C 10A	MAX. NO. OF DRIVERS ON MCB TYPE C 16A
4600512	LED Downlight Essence 10W 3000K Ø113mm Cutout Ø90-102mm	≤1%	<15	200	142	228	142	228
4600529	LED Downlight Essence 10W 4000K Ø113mm Cutout Ø90-102mm	≤1%	<15	200	142	228	142	228
4600536	LED Downlight Essence 12W 3000K Ø145mm Cutout Ø120-130mm	≤1%	<15	200	111	177	111	177
4600543	LED Downlight Essence 12W 4000K Ø145mm Cutout Ø120-130mm	≤1%	<15	200	111	177	111	177
4600550	LED Downlight Essence 17W 3000K Ø174mm Cutout Ø145-155mm	≤1%	<15	200	76	1213	76	123
4600567	LED Downlight Essence 17W 4000K Ø174mm Cutout Ø145-155mm	≤1%	<15	200	76	1213	76	123
4600574	LED Downlight Essence 25W 3000K Ø244mm Cutout Ø195-210mm	≤1%	<15	200	55	88	55	88
4600581	LED Downlight Essence 25W 4000K Ø244mm Cutout Ø195-210mm	≤1%	<15	200	55	88	55	88

DIMENSIONS

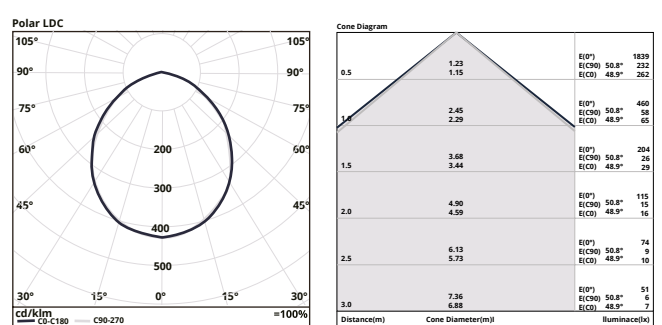


PHOTOMETRIC SPECIFICATIONS

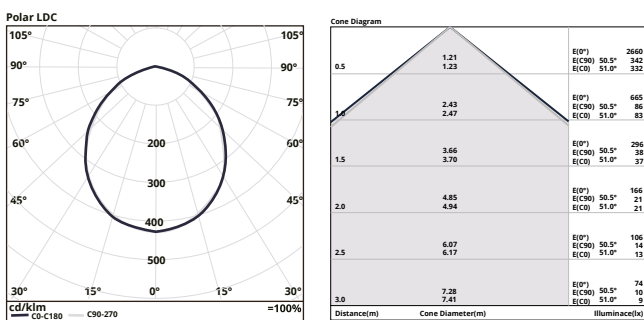
LED DOWNLIGHT ESSENCE 10W 4000K



LED DOWNLIGHT ESSENCE 12W 4000K



LED DOWNLIGHT ESSENCE 17W 4000K



LED DOWNLIGHT ESSENCE 25W 4000K

